

(K) × 2



φ10x42mm

(L) × 2



M6x60mm

(M) × 6



φ8x35mm

(N) × 6

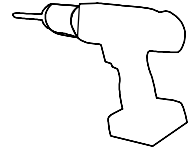
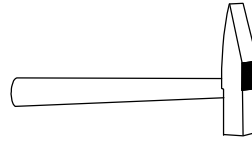
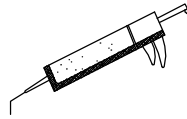
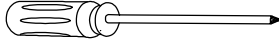
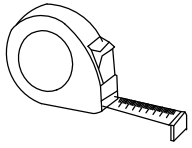


M5x50mm

(G) × 2



OKOS60



1

(M) × 6



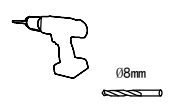
φ8x35mm

(N) × 6

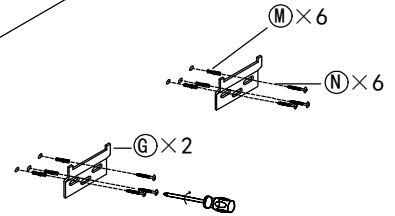
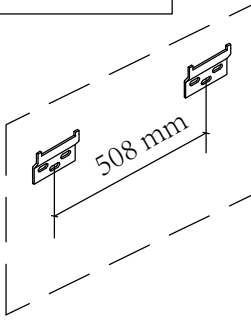
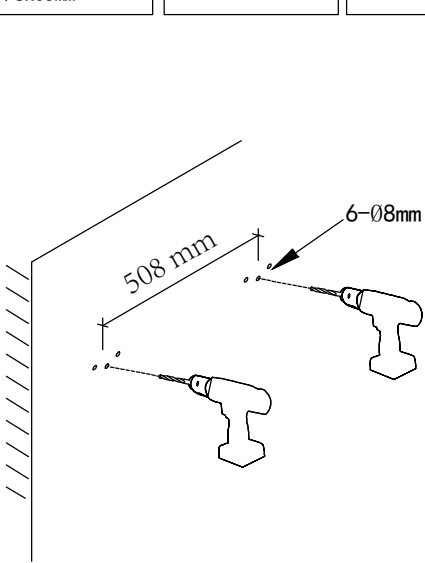


M5x50mm

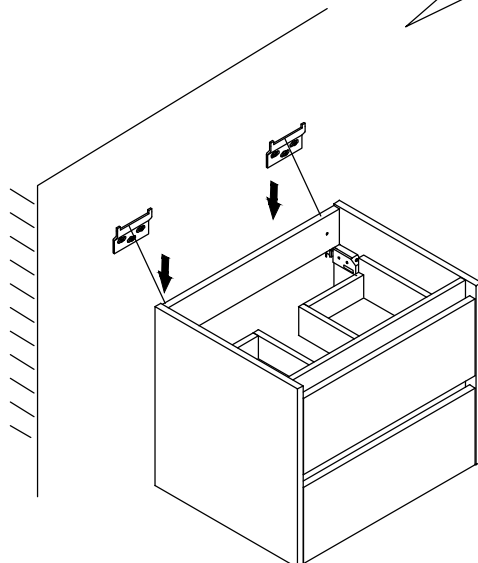
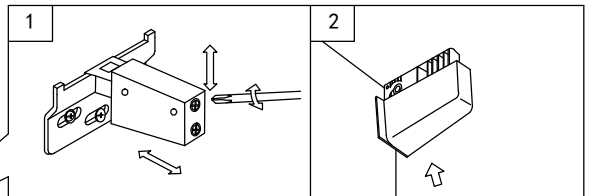
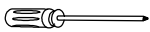
(G) × 2



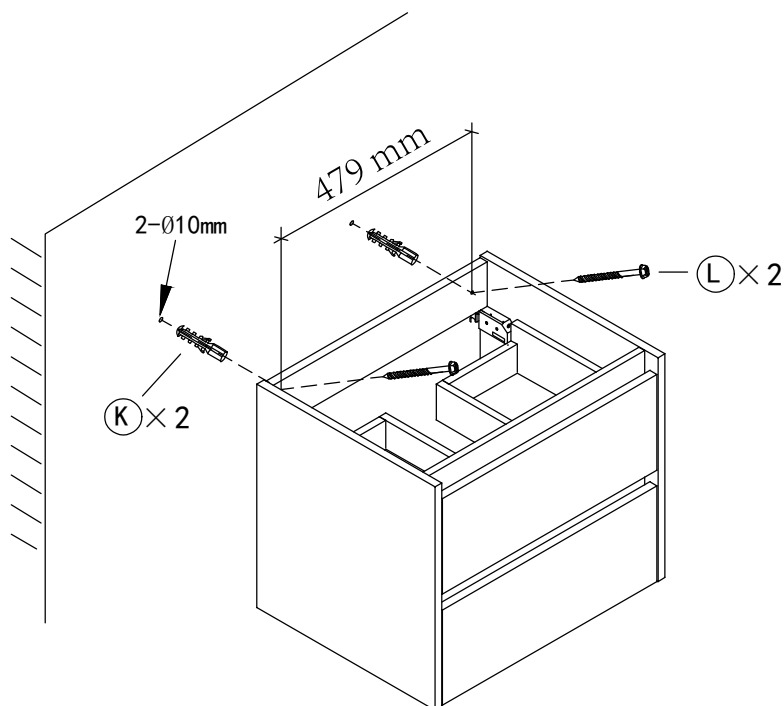
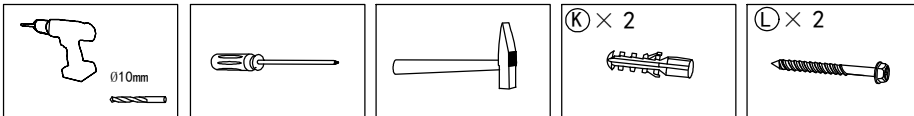
φ8mm



2



3



4

